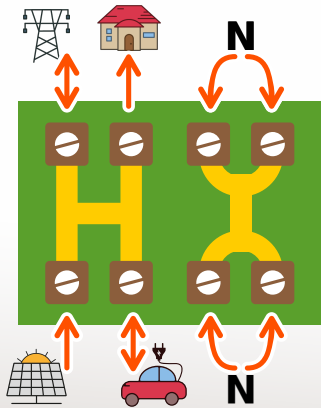


Our EV system is focused on the electric vehicle in a home with self-consumption. Our new bidirectional meter **CcM 4Meter-H** is a device that unites, unifies and connects 4 measurement points of the same single-phase installation. They are physically connected inside the device, allowing the free flow of current between them. The equipment allows to share the information of generation and consumption of 4 typical elements of this type of houses: Generation, E.V. charging, consumption of the house and the grid.

CcM 4Meter H

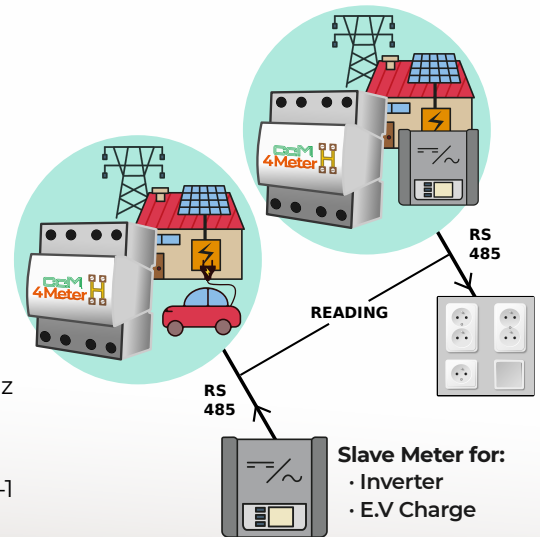


Specifications

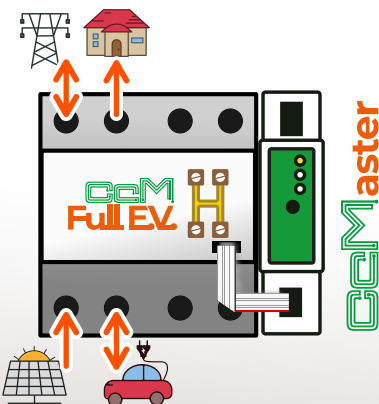
- ▶ 4x single-phase grid analyser integrated in a 4-module DIN rail box
- ▶ Measurement of 4x electrical points of the same single-phase installation, internally connected saving wiring
- ▶ Typical input power 230V rms
- ▶ RS-485 bus
- ▶ Modbus RTU protocol
- ▶ Direct measurement through shunt technology up to 63 Arms
- ▶ B2 class precision
- ▶ Signal measurement frequency 50/60 Hz
- ▶ Electrical safety certification as per IEC 61010-1 + IEC 61010-2-030
- ▶ EMC safety certification as per IEC 61326-1
- ▶ OTA firmware update

Application

Complete Consumption Control



CcM Full EV H



Specifications

- + CcM 4-Meter H: See above
- + CcMaster:
 - ▶ Compact design, single module DIN rail
 - ▶ Powered by CcM 4-Meter H
 - ▶ RS-485 and RS-232 buses
 - ▶ WiFi, Ethernet and modem (2G/NB IoT/Cat M1) interfaces
 - ▶ Modbus RTU and Modbus TCP protocols
 - ▶ MQTT high level communication protocol
 - ▶ 2x isolated digital outputs and 1x analogue 0-10V output
 - ▶ OTA firmware update

Application

Submetering & Charge Controller

